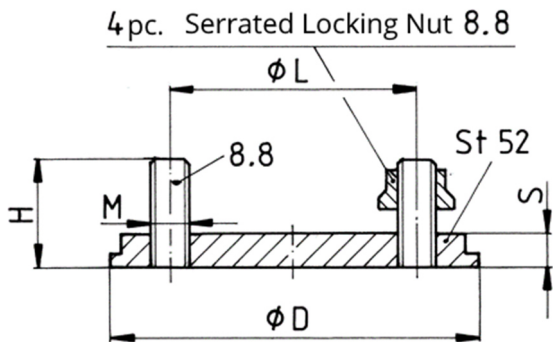


Welding Plate Type AP _ _ _



Typ AP	_40	_63	_80	100	125	160
ϕD	95	130	155	195	225	320
H	40	60	60	75	85	110
ϕL	65	95	115	145	170	240
M	M 8	M 12	M 12	M 16	M 16	M 24
S	8	10	12	15	20	25
kg	0,48	1,15	1,80	3,70	6,30	17,00
Nm	19	67	67	163	163	550

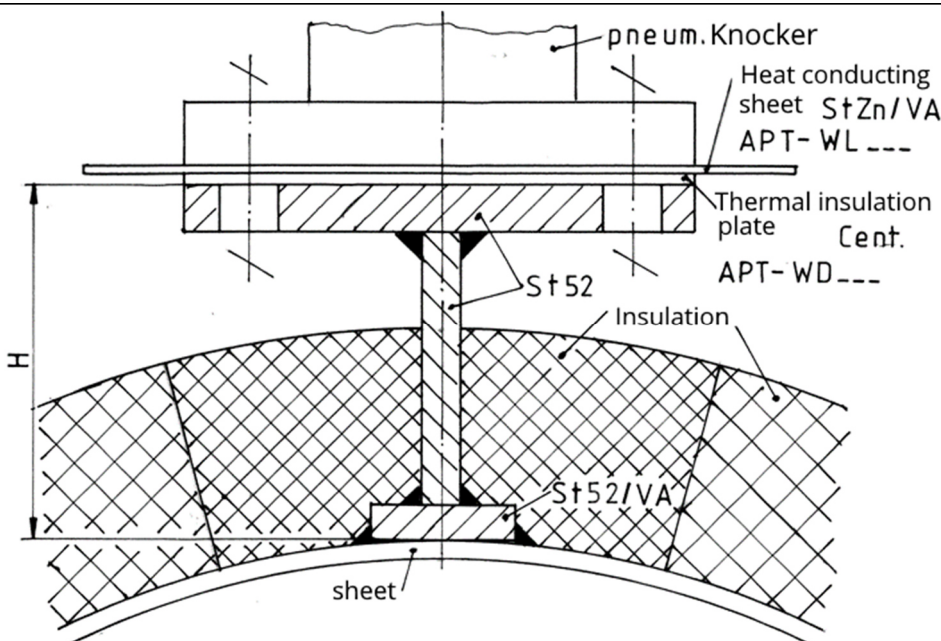
The welding plate type AP is welded directly onto the silo cone.

Roundings of the silo are to be flattened or offset by a wider fillet weld.

For strongly curved surfaces such as small silos, downpipes and cyclones, the welding plate type APT should be used

Welding plate in T-shape, type APT

Suitable for insulated and thin-walled containers, as well as for downpipes and silos with a small diameter.



- The height of the APT depends on the thickness of the insulation or the smallest possible overall height.
- Also suitable for attaching knockers to hot walls.
- **Type example:** Welding plate in standard design for K 63 and a height of 100 mm is: **APT 63x100.**
- For available dimensions, see our detailed dimension sheet 100-075

Model	Normal	Mixed	V2A	V4A
Article addition	without	- B+	- KA	- LA
Flange plate	S335JR	S335JR	1.4541	1.4571
Stage	S335JR	S335JR	1.4541	1.4571
Plate	S335JR	1.4541	1.4541	1.4571
Welding filler material	E 51 21 RR 6	1.4337	1.4316	1.4430
Standard	EN 499	EN 1600	EN 1600	EN 1600