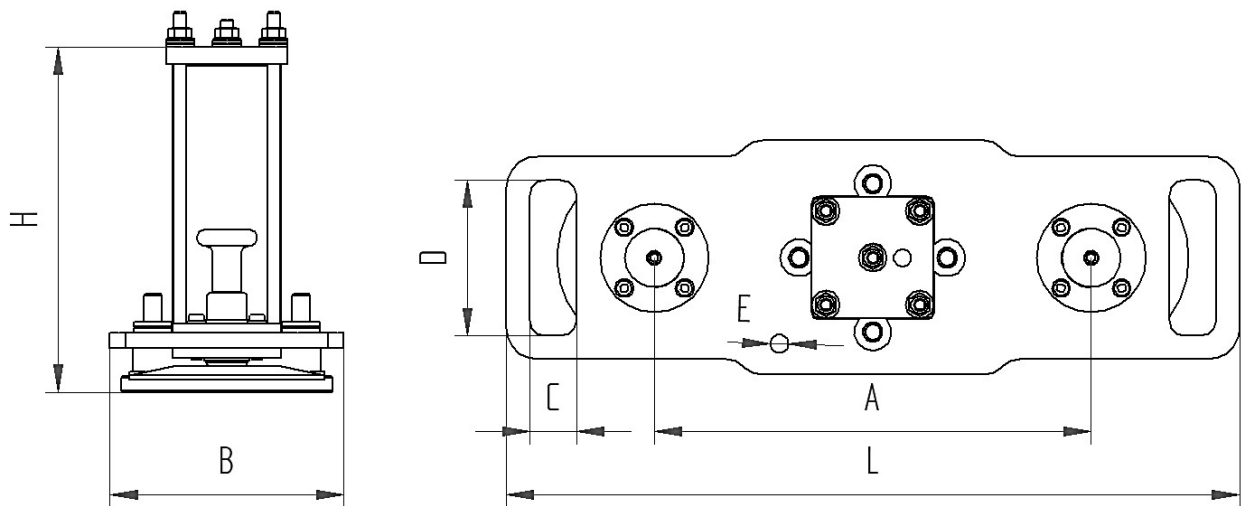
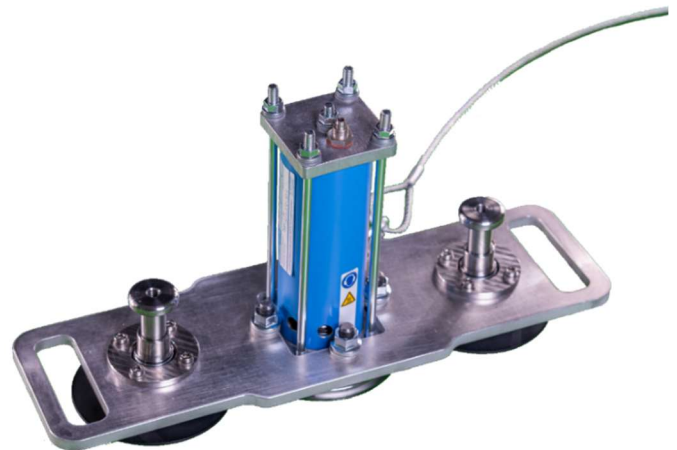


- ✓ Quick, tool-free attachment of singold knockers without fixed mounting
- ✓ Robust construction with magnetic suction cups and ball joints
- ✓ High holding force, spring loaded: holds even under heavy impact loads
- ✓ Easy handling: carrying handles, easily detachable, maintenance and wear-free



### singold - Magnetic Holder

Type	Dimensions in mm							Magnetic force per suction cup [N]	Max. Temp. [°C]	Dead weight	Knocker weight	Total weight
	L	B	H	A	C	D	E					
MH-K 40	400	140	185	210	30	90	12	290	80	2,75	1,35	4,1
MH-K 63	470	150	221	280	30	100	12	550	(Note the permissible knocker temp.)	4,2	3,6	7,8
MH-K 80	550	180	164	360	30	110	12	1000		6,1	6,6	12,7

### Variants

Type	Version	Board	Attachments
MH-K 40	Standard	Aluminium	Galvanized steel
MH-K 63			
MH-K 80	Stainless Steel „A2“	Stainless steel	Stainless steel